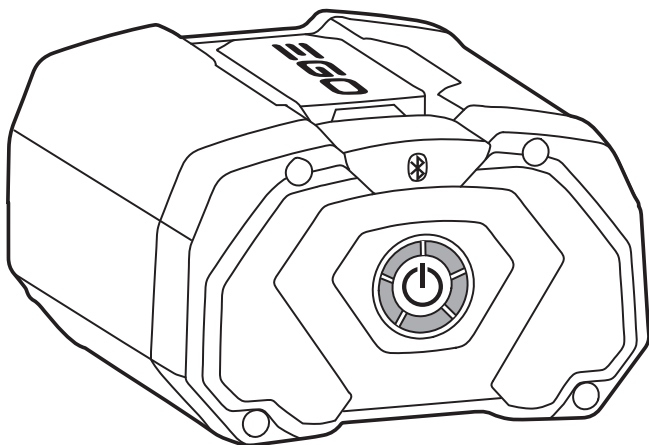


EGO™

POWER⁺ BATTERY™



OPERATOR'S MANUAL

56V ARC LITHIUM MAX 8.0AH BATTERY

MODEL NUMBER BA4480X/BA4480X-FC

Français p. 21

Español p. 41

⚠ WARNING: To reduce the risk of injury, the user must read and understand the Operator's Manual before using this product. Save these instructions for future reference.

READ ALL INSTRUCTIONS!



READ & UNDERSTAND
OPERATOR'S MANUAL


TABLE OF CONTENTS

Safety Symbols	3
General Safety Instructions	4-5
Safety Instructions for Battery Pack	5-6
Symbols	7-8
Introduction	9
Specifications	9
Packing List	9
Description	10
Operation	11-13
Maintenance	14-15
Troubleshooting	17
EGO Limited Warranty	18-19

SAFETY SYMBOLS

The purpose of safety symbols is to attract your attention to possible dangers. The safety symbols and the explanations with them deserve your careful attention and understanding. The symbol warnings do not, by themselves, eliminate any danger. The instructions and warnings they give are no substitutes for proper accident prevention measures.

⚠ WARNING Be sure to read and understand all safety instructions in this Operator’s Manual, including all safety alert symbols such as “**DANGER**”, “**WARNING**”, and “**CAUTION**” before using this product. Failure to follow all instructions listed below may result in electric shock, fire, and/or serious personal injury.

The definitions below describe the level of severity for each signal word. Please read the manual and pay attention to these symbols.	
	This is the safety alert symbol. It is used to alert you to potential personal injury hazards. Obey all safety messages that follow this symbol to avoid possible injury or death.
⚠ DANGER	DANGER indicates a hazardous situation which, if not avoided, will result in death or serious injury.
⚠ WARNING	WARNING indicates a hazardous situation which, if not avoided, could result in death or serious injury.
⚠ CAUTION	CAUTION, used with the safety alert symbol, indicates a hazardous situation which, if not avoided, will result in minor or moderate injury.

DAMAGE PREVENTION AND INFORMATION MESSAGES

These inform the user of important information and/or instructions that could lead to equipment or other property damage if they are not followed. Each message is preceded by the word “NOTICE”, as in the example below:

NOTICE Equipment and/or property damage may result if these instructions are not followed.

GENERAL SAFETY INSTRUCTIONS

⚠ WARNING Read and understand all instructions. Failure to follow all instructions listed below may result in electric shock, fire, and/or serious injury.

⚠ WARNING To ensure safety and reliability, all repairs should be performed by a qualified service technician.

Save all warnings and instructions for future reference.

WORK AREA SAFETY

- **Keep work area clean and well lit.** Cluttered or dark areas invite accidents.
- **Do not operate machines in explosive atmospheres, such as in the presence of flammable liquids, gases, or dust.** Machines create sparks which may ignite the dust or fumes.

ELECTRICAL SAFETY

- **Do not expose machines to rain or wet conditions.** Water entering machine will increase the risk of electric shock.
- **Use only with chargers listed below:**

CHARGERS	CH2100/CH2100-FC, CH3200/CH3200-FC, CH5500/CH5500-FC, CH2800D/CH2800D-FC, CH7000/CH7000-FC , CH7000T/CH7000T-FC
HUB+DOCK	PGX1600H/PGX1600H-FC+ PGX3000D/PGX3000D-FC
HUB+POWER BANK	PGX1600H/PGX1600H-FC+ PGX1400PB/PGX1400PB-FC

BATTERY MACHINE USE AND CARE

- **Prevent unintentional starting. Ensure the switch is in the off position before connecting to battery pack, picking up, or carrying the appliance.** Carrying the appliance with your finger on the switch or energizing appliance that have the switch on invites accidents.

- **Disconnect the battery pack from the appliance before making any adjustments, changing accessories, or storing appliance.** Such preventive safety measures reduce the risk of starting the appliance accidentally.
- **Do not modify or attempt to repair the appliance or the battery pack (as applicable) except as indicated in the instructions for use and care.**
- **Do not use a battery pack or appliance that is damaged or modified.** Damaged or modified batteries may exhibit unpredictable behavior resulting in fire, explosion, or risk of injury.
- **Recharge only with the chargers specified by the manufacturer.** A charger that is suitable for one type of battery pack may create a rise of fire when used with another battery pack.
- **Use power machines only with specifically designated battery packs.** Use of any other battery packs may create a risk of injury and fire.
- **When battery pack is not in use, keep it away from other metal objects like paper clips, coins, keys, nails, screws, or other small metal objects that can make a connection from one terminal to another.** Shorting the battery terminals together may cause burns or a fire.
- **Under abusive conditions, liquid may be ejected from the battery; avoid contact.** If contact accidentally occurs, flush with water. If liquid contacts eyes, additionally seek medical help. Liquid ejected from the battery may cause irritation or burns.

SERVICE

- **Follow instructions in the Maintenance section of this manual.** Use of unauthorized parts or failure to follow Maintenance instructions may create a risk of shock or injury.

SAFETY INSTRUCTIONS FOR BATTERY PACK

- **Know your power machine. Read the operator's manual carefully. Learn the applications and limitations, as well as the specific potential hazards related to the machine. Following this rule will reduce the risk of electric shock, fire, or serious injury.**
- **Battery machines do not have to be plugged into an electrical outlet; therefore, they are always in operating condition.** Be aware of possible hazards when not using your battery machine or when changing accessories. Following this rule will reduce the risk of electric shock, fire, or serious personal injury.

- **Do not expose a battery pack or appliance to fire or excessive temperature.** Exposure to fire or temperature above 212 °F (100 °C) may cause explosion.
- **Do not dispose of the batteries in a fire.** The cells may explode. Check with local codes for possible special disposal instructions.
- **Do not open or mutilate the battery.** Released electrolyte is corrosive and may cause damage to the eyes or skin. It may be toxic if swallowed.
- **Do not crush, drop, or damage the battery pack.** Do not use a battery pack or charger that has been dropped or received a sharp blow. A damaged battery is subject to explosion. Properly dispose of a dropped or damaged battery immediately.
- **Batteries vent hydrogen gas and can explode in the presence of a source of ignition, such as a pilot light.** To reduce the risk of serious personal injury, never use any cordless product in the presence of open flame. An exploded battery can propel debris and chemicals. If exposed, flush with water immediately.
- **Do not charge the battery in a damp or wet location.** Following this rule will reduce the risk of electric shock.
- **Follow all charging instructions and do not charge the battery pack or appliance outside of the temperature range specified in the instructions.** Charging improperly or at temperatures outside of the specified range may damage the battery and increase the risk of fire. The specified temperature is greater than 41 °F (5 °C) and less than 104 °F (40 °C).
- **Under extreme usage or temperature conditions, battery leakage may occur.** If liquid comes in contact with your skin, wash immediately with soap and water, then neutralize with lemon juice or vinegar. If liquid gets in your eyes, flush them with clean water for at least 10 minutes, and then seek immediate medical attention. Following this rule will reduce the risk of serious personal injury.
- **Do not let gasoline, oils, petroleum-based products, etc. come in contact with plastic parts.** These substances contain chemicals that can damage, weaken or destroy plastic.
- **Have your battery pack serviced by a qualified service technician using only identical replacement parts.** This will ensure that the safety of the battery pack is maintained.

SAVE THESE INSTRUCTIONS! Refer to them frequently and use them to instruct others who may use this product. If you loan this product to someone else, also loan these instructions to them to prevent misuse of the product and possible injury.

SYMBOLS

This page depicts and describes symbols that may appear on this product. Read, understand, and follow all instructions on the product before attempting to assemble and operate.

	Safety Alert	Precautions that involve your safety.
	Read & Understand Operator's Manual	To reduce the risk of injury, user must read and understand the operator's manual before using this product.
	Wet Conditions Alert	Do not expose to rain or use in damp locations.
	Bluetooth®	Bluetooth® Symbol
	Alternating Current (AC)	Type of current
	Direct Current (DC)	Type or a characteristic of current
V	Volt	Voltage
Ah	Ampere-hour	Capacity
lbs	Pounds	Weight
kg	Kilogram	Weight
°F	Degrees Fahrenheit	Temperature
°C	Degrees Celsius	Temperature
IP...	Ingress Protection (IP) Rating	Classifies the degree of protection provided by an enclosure, for electrical equipment.



Recycle Symbols

This product uses lithium-ion (Li-ion) batteries. Local, state, or federal laws may prohibit disposal of batteries in ordinary trash. Call the phone number or visit the website listed on the Recycle Symbol found on your battery to locate a free recycling drop off location.

INTRODUCTION


Congratulations on your selection of a new EGO 56V Lithium-ion Battery Pack. It has been designed, engineered, and manufactured to give you the best possible dependability and performance.

Should you experience any problem you cannot easily remedy, **please contact EGO customer service 1-855-EGO-5656.**

This manual contains important information regarding the safe assembly, operation, and maintenance of your product. Read it carefully before using the product. Keep this manual handy so you can refer to it at any time.

SERIAL NUMBER _____ DATE OF PURCHASE _____
YOU SHOULD RECORD BOTH SERIAL NUMBER AND DATE OF PURCHASE AND KEEP IN A SAFE PLACE FOR FUTURE REFERENCE

SPECIFICATIONS

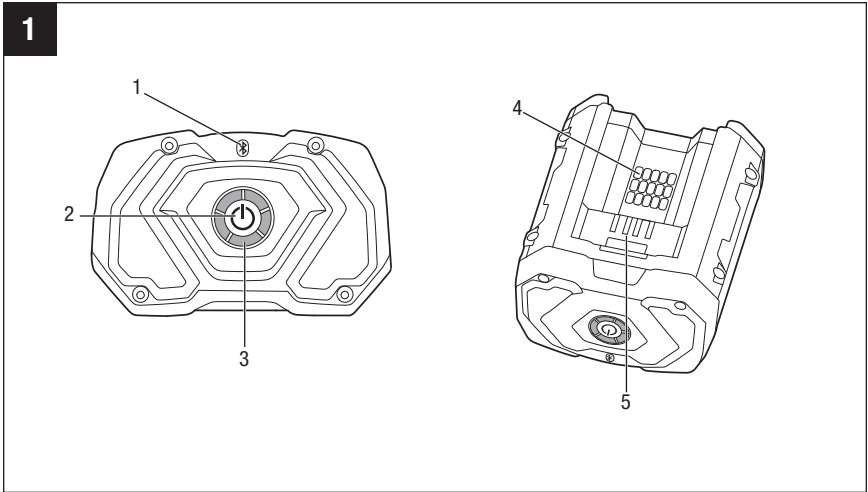
Voltage	56 V 
Rated Capacity	8Ah
Rated Battery Energy	448 Wh
Recommended Charging Temperature	41 °F – 104 °F (5 °C – 40 °C)
Recommended Storage Temperature	50 °F – 80 °F (10 °C – 26 °C)
Weight	6.6 lbs. (3 kg)
Ingress Protection Rating	IPX5 (Protection against water jets)

PACKING LIST

PART NAME	QUANTITY
Battery Pack	1
Operator's Manual	1

DESCRIPTION

KNOW YOUR BATTERY PACK (Fig. 1)



1. Bluetooth® Icon

2. Power Button (Bluetooth® Button)

3. 5-LED Fuel Gauge

4. Cooling Air Port

5. Battery Contacts

OPERATION

5-LED FUEL GAUGE

This lithium-ion battery pack features a 5-LED fuel gauge. Briefly press the power button and the LED fuel gauge will display the battery charge level or working condition for 10 seconds.

5-LED FUEL GAUGE		BATTERY CHARGE LEVEL / WORKING CONDITION
	All 5 LEDs glow solid green	Charge level 80% to 100%
	4 LEDs glow solid green	Charge level 60% to 80%
	3 LEDs glow solid green	Charge level 40% to 60%
	2 LEDs glow solid green	Charge level 20% to 40%
	1 LED glows solid green	Charge level 10% to 20%
	1 LED flashing red	Charge level less than 10%
	All 5 LEDs flashing red	Low charge level. The battery pack is nearly depleted and needs to be charged immediately.
	All 5 LEDs glow solid red	Battery pack is too hot or too cold. Cool or warm the battery pack until its temperature reaches the -1 °F (-17 °C) – 152 °F (67 °C) temperature range.
	All 5 LEDs flash green every two seconds.	The battery pack is automatically performing self-maintenance to extend its life. All 5 LEDs will run the cycle until the self-maintenance is finished.

BATTERY PROTECTION

The battery circuitry protects the battery pack from extreme temperature, over-discharge, and over-charge. To protect the battery from damage and prolong its life, the battery pack circuitry will turn off the battery pack if it becomes overloaded or if the temperature becomes too high during use. This may happen in extremely high torque, binding, or stalling situations. The battery pack will shut down with the LED indicator shining red for 10 seconds when its operating temperature exceeds 158 °F (70 °C), and will begin normal operation when it returns to 152 °F (67 °C).




NOTICE A significantly reduced run time after fully charging the battery pack indicates that the batteries are near the end of their usable life and must be replaced.

COLD WEATHER OPERATION

This lithium-ion battery pack will provide optimal performance in temperatures between 50 °F (10 °C) and 80 °F (26 °C). When the battery pack is very cold, it may “pulse” for the first minute of use to warm itself. Install the battery pack on a tool and use the tool in light operation. After about a minute, the battery pack will have warmed itself and will operate normally.

Self-diagnostic Mode

Press and hold the power button for six seconds. The battery will enter self-diagnostic mode and the LED light(s) will stay lit for approximately 10 seconds.

5-LED FUEL GAUGE		BATTERY CHARGE LEVEL / WORKING CONDITION
	All 5 LEDs glow solid green.	Battery pack functions normally.
	All 5 LEDs are flashing green and red alternately.	Defective battery. The battery cannot be charged or discharged. Please contact EGO customer service for help.
	All 5 LEDs glow solid orange.	Battery capacity is below 40% of its original capacity. Please contact EGO customer service for help.

BLUETOOTH® WIRELESS TECHNOLOGY

Products with built-in Bluetooth® wireless technology can connect to mobile devices.

To install EGO Connect™ app

1. Download the EGO Connect™ app on your mobile device.
2. Create a new account in the EGO Connect™ app. If you already have an account, skip to step 4.
3. An email will be sent to the registered email address. Follow the instructions in the email to validate your account.
4. Log in to your EGO account in EGO Connect™ app.

To pair EGO Connect™ and the battery pack

Press the Bluetooth® button for 3 seconds, then wait for the battery pack to connect. All 5 LEDs will flash blue during pairing.

All 5 LEDs will glow solid blue when the battery pack is connected to your mobile device.

Follow the instructions in the EGO Connect™ app.

WHEN TO CHARGE THE BATTERY PACK

NOTICE This lithium-ion battery pack is shipped partially charged. Before using it the first time, fully charge the battery pack.

NOTICE This battery pack is equipped with an advanced self-maintenance function to extend the battery life. Depending on the battery charge, it will automatically perform a self-discharge operation after one month of storage. After this self-maintenance, the battery pack will enter sleep mode and maintain 30% of its charge capacity. If stored for a month or longer, fully recharge the battery before the next use. It is not necessary to run down the battery pack charge before recharging. The lithium-ion battery can be charged at any time and will not develop a “memory” when charged after only a partial discharge. Use the 5-LED indicator to determine when the battery pack needs to be recharged.

HOW TO CHARGE THE BATTERY PACK

Follow the instructions in the operator's manual for the individual EGO Charger.

HOW TO ATTACH AND DETACH THE BATTERY PACK

Follow the instructions in the operator's manual for the individual EGO product.

MAINTENANCE

⚠ WARNING To avoid serious personal injury, always remove the battery pack from the machine when cleaning or performing any maintenance.

GENERAL MAINTENANCE

Avoid using solvents when cleaning plastic parts. Most plastics are susceptible to damage from various types of commercial solvents and may be damaged by their use. Use a clean cloth to remove dirt, dust, oil, grease, etc.

⚠ WARNING Never let brake fluids, gasoline, petroleum-based products, penetrating oils, etc., come in contact with plastic parts. Chemicals can damage, weaken, or destroy plastic which may result in serious personal injury.

⚠ WARNING To reduce the risk of fire, personal injury, and product damage due to a short circuit, never immerse your machine, battery pack, or charger in fluid or allow a fluid to flow inside them. Corrosive or conductive fluids, such as seawater, certain industrial chemicals, and bleach or bleach-containing products, etc., can cause a short circuit.

MAINTAINING THE BATTERY PACK

The battery pack is equipped with lithium-ion rechargeable batteries. The duration of use from each charge will depend on the type of work performed.

The batteries have been designed to provide maximum trouble-free life. Like all batteries, they will eventually wear out.

Do not disassemble the battery pack or attempt to replace the batteries. Handling of the batteries, especially when wearing rings and jewelry, could result in a serious burn.

To obtain the longest possible battery life, read and understand the operator's manual.

- It is good practice to unplug the charger and remove the lithium-ion battery pack when not in use.

For lithium-ion battery pack storage longer than 30 days:

Store the lithium-ion battery pack where the temperature is below 80 °F (26 °C) and free of moisture.

- Store lithium-ion battery packs in a 30% – 50% charged condition.
- Every six months of storage, fully charge the lithium-ion battery pack.
- Exterior may be cleaned with a cloth or soft non-metallic brush.

BATTERY PACK REMOVAL AND PREPARATION FOR RECYCLING



To preserve natural resources, please recycle or dispose of batteries properly. This product contains lithium-ion batteries. Local, state, or federal laws may prohibit disposal of lithium-ion batteries in ordinary trash. Call the phone number or visit the website listed on the Recycle Symbol found on your battery to locate a free recycling drop off location.

⚠ WARNING Upon removal of the battery pack for disposal or recycling, cover the battery pack's terminals with heavy-duty adhesive tape. Do not attempt to destroy or disassemble the battery pack or remove any of its components. Lithium-ion batteries must be recycled or disposed of properly. Also, never touch the terminals with metal objects and/or body parts, as a short circuit may result. Keep away from children. Failure to comply with these warnings could result in fire and/or serious injury.

BATTERY PACK BECOMES WET OR SUBMERGED

If you drop the battery pack in water, or a large volume of water enters the battery pack, you must **STOP USING THE BATTERY PACK** and follow these steps:

NOTE: Contact EGO customer service for support. State clearly: “My lithium-ion battery pack has been submerged in water.”

⚠ WARNING Do not touch the battery pack with bare hands. Wear rubber gloves and safety glasses.

⚠ WARNING Do not use or charge the battery pack. Water entering the battery pack will cause a significant fire and explosion risk.

⚠ WARNING Do not open or mutilate the battery pack. Released electrolyte is corrosive and may cause damage to the eyes or skin. It may be toxic if swallowed.

⚠ WARNING Do not shake, tilt, or jar the battery pack. Agitation can cause internal short circuits.

⚠ WARNING Do not use heat. NEVER use a hairdryer, oven, or heater to dry the battery pack. Heat can trigger “thermal runaway,” a self-sustaining fire that cannot be extinguished easily.

⚠ WARNING Do not dispose of the battery in household trash. A compromised Li-ion battery is hazardous waste and must be disposed of according to applicable laws and regulations.

1. Carefully place the battery pack in a dry fireproof bucket or bin, if available.
2. Put the battery pack in a well-ventilated, non-flammable area away from people, pets, and anything that can burn. Do not place it on wood, carpet, or in a car.
3. **For safety, it is strongly recommended to place the battery in a large water bucket** with FRESH WATER and FULLY SUBMERGE the battery pack for more than 24 hours. This will cause the cells to internally discharge completely and make it safe to dispose of at your local battery depot.
4. You must dispose of the battery following local restrictions for battery disposal.

TROUBLESHOOTING

PROBLEM	CAUSE	SOLUTION
All 5 LEDs glow solid red when the battery pack is working.	<ul style="list-style-type: none"> ■ The battery pack is too hot or too cold. 	<ul style="list-style-type: none"> ■ Cool or warm the battery pack until its temperature reaches the -1 °F (-17 °C) – 152 °F (67 °C) temperature range.
All 5 LEDs flash red when the battery pack is working.	<ul style="list-style-type: none"> ■ The charge of the battery pack is low and nearly depleted. 	<ul style="list-style-type: none"> ■ Charge the battery pack.
The battery pack cannot be charged or discharged.	<ul style="list-style-type: none"> ■ After pressing and holding the power button for six seconds, all 5 LEDs flash green and red alternately, which means the battery pack is defective. 	<ul style="list-style-type: none"> ■ Please contact EGO customer service for help.
The run time of the fully charged battery pack is significantly reduced.	<ul style="list-style-type: none"> ■ After pressing and holding the power button for six seconds, all 5 LEDs glow solid orange, which means the battery capacity is below 40% of its original capacity. 	<ul style="list-style-type: none"> ■ Please contact EGO customer service for help.
The battery pack charge is reduced after more than one month of non-use.	<ul style="list-style-type: none"> ■ The battery pack has automatically performed self-maintenance to extend its life. 	<ul style="list-style-type: none"> ■ Fully recharge the battery pack before use.
The battery endcap gets warm during storage. The 5 LEDs flash green every two seconds.	<ul style="list-style-type: none"> ■ The battery pack is automatically performing self-maintenance to extend its life. The LEDs will run the cycle until the self-maintenance is finished. 	<ul style="list-style-type: none"> ■ This is normal operation; no action required.



EGO LIMITED WARRANTY

WARRANTY POLICY TERMS AND DURATION

Chervon North America, Inc. (“Chervon North America, Naperville, IL 60563”) provides the following Limited Warranty for EGO products to the original purchaser of EGO products.

The detailed warranty period for each EGO product can be found online at <http://egopowerplus.com/warranty-policy>.

Please contact EGO Customer Service Toll-Free at 1-855-EGO-5656 any time you have questions or warranty claims.

LIMITED SERVICE WARRANTY

EGO products are warranted against defects in material or workmanship from the date of original retail purchase for the applicable warranty period. For any properly and timely submitted warranty claim, if Chervon North America determines a product to be defective during the warranty period, the product will receive free repair or replacement as determined by Chervon North America.

HOW TO OBTAIN SERVICE

For warranty service, within the applicable warranty period, please contact EGO customer service toll-free at **1-855-EGO-5656**. When requesting warranty service, you must present the original dated sales receipt. An authorized service center will be selected to evaluate and repair the product if defective according to the stated warranty terms. When bringing your product to the authorized service center, there may be a small deposit that will be required when dropping off your tool. This deposit is refundable when the repair service is deemed to be covered under warranty. The purchaser is responsible for transportation of any outdoor power equipment or attachments at their expense.

ADDITIONAL LIMITATIONS & EXCLUSIONS

This limited warranty applies only to the original purchaser from an authorized EGO retailer and is not transferable. EGO products shall not be considered defective, and this warranty will not apply, where the claimed defect is attributable to any cause other than the above-defined defects. This warranty shall be void if the product has been used for rental purposes. This warranty shall not apply to damage caused by accident, abuse, misuse, alteration, modification, unauthorized repair, liquid contact, fire, earthquake or other external cause; operating the product outside EGO's instructions, specifications or guidelines; or failure to properly service or maintain the product. This warranty also does not apply to cosmetic damage, including but not limited to scratches or dents; defects caused by normal wear and tear or otherwise due to the normal aging of the product.

THIS EXPRESS WARRANTY IS GIVEN IN LIEU OF ALL OTHER WARRANTIES, EXPRESS OR IMPLIED, INCLUDING, BUT NOT LIMITED TO, ANY WARRANTIES OF MERCHANTABILITY OR FITNESS FOR PARTICULAR PURPOSE OR USE, WHICH ARE DISCLAIMED. Any implied warranties, including warranties of merchantability or fitness for a particular purpose, that cannot be disclaimed under state law are limited to the applicable warranty period defined at the beginning of this article. The sole and exclusive remedy in connection with the purchase, installation, use, and/or performance of the EGO products is repair or replacement of the product as determined by Chervon North America. Chervon North America's maximum liability shall not in any case exceed the purchase price paid for the product. CHERVON NORTH AMERICA SHALL NOT BE LIABLE TO THE USER OR TO ANYONE ELSE FOR CONSEQUENTIAL, INCIDENTAL, SPECIAL, EXEMPLARY, INDIRECT, OR PUNITIVE DAMAGES ARISING FROM USE OF THE PRODUCTS, INCLUDING BUT NOT LIMITED TO PERSONAL INJURY, DEATH, PROPERTY DAMAGE, LOST PROFITS, OR OTHER ECONOMIC INJURY. This warranty gives you specific legal rights, and you may also have other rights which vary from state to state. Some states do not allow limitations on how long an implied warranty lasts, the exclusion or limitation of incidental or consequential damages, or the limitations on time to bring certain actions, so such limitations contained herein do not apply to individual consumers in those states.

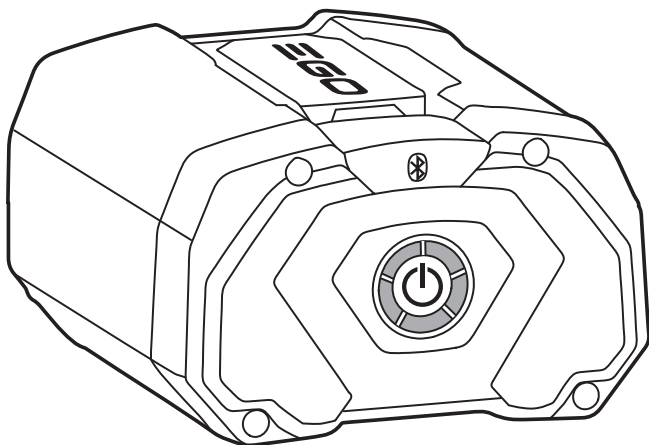
This warranty is subject to and shall be interpreted according to Michigan law without regard to principles of conflicts of laws. No legal action shall be brought against Chervon North America unless filed within one (1) year after the basis for such legal action becomes known, or with the exercise of reasonable diligence should have become known. Any action not timely filed shall be deemed waived.

For customer service contact us toll-free at: **1-855-EGO-5656** or **EGOPOWERPLUS.COM.**

EGO Customer Service
769 Seward Ave. NW, Suite 102
Grand Rapids, Michigan 49504.

EGO™

POWER⁺ BATTERY™



MODE D'EMPLOI

PILE ARC LITHIUM DE 56 V, 8,0 AH MAX.

NUMÉRO DE MODÈLE BA4480X/BA4480X-FC

⚠ AVERTISSEMENT : Afin de réduire les risques de blessure, l'utilisateur doit lire et comprendre le guide d'utilisation avant d'utiliser ce produit. Conservez le présent guide afin de pouvoir le consulter ultérieurement.

LISEZ TOUTES LES INSTRUCTIONS !



READ & UNDERSTAND
OPERATOR'S MANUAL

TABLE DES MATIÈRES

Symboles relatifs à la sécurité	23
Consignes générales de sécurité	24-25
Consignes de sécurité pour le bloc-piles	26-27
Symboles	28
Introduction	29
Caractéristiques techniques	29
Liste des articles inclus	29
Description	30
Fonctionnement	31-33
Entretien	34-36
Recherche de la cause des problèmes	37-38
Garantie limitée d'EGO	39-40

SYMBOLES RELATIFS À LA SÉCURITÉ

Les symboles relatifs à la sécurité ont pour but d'attirer votre attention sur les dangers possibles. Les symboles relatifs à la sécurité et les explications qui les accompagnent méritent votre attention et nécessitent votre compréhension. Les symboles d'avertissement n'éliminent pas à eux seuls tout danger. Les instructions et les avertissements qu'ils donnent ne remplacent pas les mesures appropriées de prévention des accidents.

⚠ AVERTISSEMENT Veuillez à lire et assurez que vous comprenez toutes les consignes de sécurité figurant dans ce mode d'emploi, y compris tous les symboles d'alerte de sécurité tels que « **DANGER** », « **AVERTISSEMENT** » et « **MISE EN GARDE** » avant d'utiliser ce produit. Le non-respect de toutes les instructions énumérées ci-dessous pourrait entraîner un choc électrique, un incendie et/ou des blessures graves.

Les définitions ci-dessous décrivent le niveau de gravité de chaque mot indicateur. Veuillez lire le mode d'emploi et prêter attention à ces symboles.	
	Ceci est le symbole d'alerte de sécurité. Il est utilisé pour vous avertir des risques potentiels de blessures. Respectez tous les messages de sécurité qui suivent ce symbole afin d'éviter tout risque de blessure ou de mort.
⚠ DANGER	DANGER indique une situation dangereuse qui, si elle n'est pas évitée, causera la mort ou des blessures graves.
⚠ AVERTISSEMENT	AVERTISSEMENT indique une situation dangereuse qui, si elle n'est pas évitée, pourrait entraîner la mort ou des blessures graves.
⚠ ATTENTION	MISE EN GARDE , utilisé avec le symbole d'alerte de sécurité, indique une situation dangereuse qui, si elle n'est pas évitée, causera des blessures mineures ou modérées.

MESSAGES D'INFORMATION ET PRÉVENTION DES DOMMAGES

Ils communiquent à l'utilisateur des informations et/ou des instructions importantes qui, si elles ne sont pas respectées, pourraient endommager l'équipement ou d'autres biens. Chaque message est précédé du mot « **AVIS** », comme dans l'exemple ci-dessous :

AVIS Le non-respect de ces instructions peut entraîner des dommages matériels et/ou des dommages à l'équipement.

CONSIGNES GÉNÉRALES DE SÉCURITÉ

⚠ AVERTISSEMENT Lisez toutes les instructions et assurez-vous que vous les comprenez. Le non-respect de toutes les instructions énumérées ci-dessous pourrait entraîner un choc électrique, un incendie et/ou des blessures graves.

⚠ AVERTISSEMENT Pour assurer la sécurité et la fiabilité, toutes les réparations doivent être effectuées par un technicien qualifié.

Conservez tous les avertissements et toutes les instructions pour pouvoir vous y référer ultérieurement.

SÉCURITÉ DANS LA ZONE DE TRAVAIL

- **Gardez votre zone de travail propre et bien éclairée.** Les zones encombrées ou sombres sont propices aux accidents.
- **N'utilisez pas les machines dans des atmosphères explosives, par exemple en présence de liquides, de gaz ou de poussières inflammables.** Les machines produisent des étincelles qui risquent de mettre feu aux poussières ou aux émanations de fumée.

SÉCURITÉ ÉLECTRIQUE

- **N'exposez pas les machines à la pluie ou à des conditions humides.** La pénétration d'eau dans la machine augmente le risque de choc électrique.
- **À n'utiliser qu'avec les chargeurs répertoriés ci-dessous :**

CHARGEURS	CH2100/CH2100-FC, CH3200/CH3200-FC, CH5500/CH5500-FC, CH2800D/CH2800D-FC, CH7000/CH7000-FC, CH7000T/CH7000T-FC
HUB+DOCK	PGX1600H/PGX1600H-FC+ PGX3000D/PGX3000D-FC
HUB+POWER BANK	PGX1600H/PGX1600H-FC+ PGX1400PB/PGX1400PB-FC

UTILISATION ET ENTRETIEN DE LA MACHINE ALIMENTÉE PAR DES PILES

- **Prévenez les démarrages intempestifs. Assurez-vous que l'interrupteur est en position d'arrêt avant de brancher le bloc-piles, ou de soulever ou transporter l'appareil.** Le fait de porter l'appareil avec le doigt sur l'interrupteur ou mettre sous tension un appareil dont l'interrupteur est allumé invite les accidents.
- **Débranchez le bloc-piles de l'appareil avant d'effectuer des réglages, de changer d'accessoires ou de ranger l'appareil.** Ces mesures de sécurité préventives réduisent le risque de démarrage accidentel de l'appareil.
- **Ne modifiez pas et n'essayez pas de réparer l'appareil ou le bloc-piles (le cas échéant), sauf si cela est indiqué dans les instructions d'utilisation et d'entretien.**
- **N'utilisez pas de bloc-piles ou d'appareil ayant été endommagé ou modifié.** Les piles endommagées ou modifiées peuvent avoir un comportement imprévisible et causer un incendie, une explosion ou une blessure.
- **Rechargez uniquement avec les chargeurs spécifiés par le fabricant.** Un chargeur adapté à un type de bloc-piles peut créer un risque d'incendie lorsqu'il est utilisé avec un autre bloc-piles.
- **N'utilisez les machines électriques qu'avec des blocs-piles spécialement conçus à cet effet.** L'utilisation d'autres blocs-piles peut créer un risque de blessure et d'incendie.
- **Lorsque le bloc-piles n'est pas utilisé, tenez-le à l'écart d'autres objets métalliques tels que trombones, pièces de monnaie, clés, clous, vis ou autres petits objets métalliques susceptibles d'établir une connexion d'une borne à l'autre.** La mise en court-circuit des bornes d'une pile peut provoquer des brûlures ou un incendie.
- **Dans des conditions abusives, du liquide peut être éjecté de la pile ; évitez tout contact.** En cas de contact accidentel, rincez avec de l'eau. En cas de contact du liquide avec les yeux, consultez de toute urgence un médecin. Le liquide éjecté de la pile peut provoquer des irritations ou des brûlures.

SERVICE APRÈS-VENTE

- **Suivez les instructions de la section intitulée Entretien de ce mode d'emploi.** L'utilisation de pièces non autorisées ou le non-respect des instructions d'entretien pourrait entraîner un risque de choc ou de blessure.

CONSIGNES DE SÉCURITÉ POUR LE BLOC-PILES

- **Familiarisez-vous avec votre machine électrique. Lisez attentivement le mode d'emploi. Apprenez les applications et les limites, ainsi que les risques potentiels spécifiques liés à la machine. Le respect de cette règle réduira le risque de choc électrique, d'incendie ou de blessure grave.**
- **Les machines alimentées par des piles n'ont pas besoin d'être branchées dans une prise de courant ; elles sont donc toujours en état de marche.** Soyez conscient(e) des dangers possibles lorsque vous n'utilisez pas votre machine alimentée par des piles ou lorsque vous changez d'accessoires. Le respect de cette règle réduira le risque de choc électrique, d'incendie ou de blessures graves.
- **N'exposez pas un bloc-piles ou un appareil à un feu ou à une température excessive.** L'exposition à un feu ou à une température supérieure à 100 °C / 212 °F pourrait provoquer une explosion.
- **Ne jetez pas les piles dans un feu.** Les cellules pourraient exploser. Vérifiez les codes locaux pour prendre connaissance d'éventuelles instructions spéciales de mise au rebut.
- **N'ouvrez pas ou ne mutilez pas la pile.** L'électrolyte libéré est corrosif et pourrait causer des lésions oculaires ou cutanées. Il peut être toxique en cas d'ingestion.
- **N'écrasez pas, ne faites pas tomber et n'endommagez pas le bloc-piles.** N'utilisez pas un bloc-piles ou un chargeur qui est tombé ou qui a reçu un coup violent. Une pile endommagée est susceptible d'exploser. Mettez immédiatement au rebut une pile qui est tombée ou qui a été endommagée.
- **Les piles dégagent de l'hydrogène et peuvent exploser en présence d'une source d'allumage, telle qu'une veilleuse.** Pour réduire le risque de blessures graves, n'utilisez jamais un produit sans fil en présence d'une flamme nue. Une pile qui explose peut propulser des débris et des produits chimiques. En cas d'exposition, rincez immédiatement avec de l'eau.
- **Ne chargez pas la pile dans un endroit humide ou mouillé.** Le respect de cette règle permet de réduire le risque de choc électrique.

- **Suivez toutes les instructions de charge et ne chargez pas le bloc-piles ou l'appareil en dehors de la plage de température spécifiée dans les instructions.** Une charge incorrecte ou à des températures en dehors de la plage spécifiée pourrait endommager la pile et augmenter le risque d'incendie. La température spécifiée est supérieure à 5 °C / 41 °F et inférieure à 40 °C / 104 °F.
- **Dans des conditions d'utilisation ou de température extrêmes, une fuite de la pile peut se produire.** Si le liquide entre en contact avec votre peau, lavez-la immédiatement avec de l'eau et du savon, puis neutralisez-le avec du jus de citron ou du vinaigre. Si le liquide entre en contact avec vos yeux, rincez-les à l'eau claire pendant au moins 10 minutes, puis consultez immédiatement un médecin. Le respect de cette règle réduira le risque de blessures graves.
- **Ne laissez pas d'essence, d'huiles, de produits à base de pétrole, etc. entrer en contact avec des pièces en plastique.** Ces substances contiennent des produits chimiques qui peuvent endommager, affaiblir ou détruire le plastique.
- **Faites réparer votre bloc-piles par un technicien qualifié en utilisant uniquement des pièces de rechange identiques.** Ceci permet de garantir la sécurité du bloc-piles.

CONSERVEZ CES INSTRUCTIONS ! Consultez-les fréquemment, et utilisez-les pour instruire d'autres personnes susceptibles d'utiliser ce produit. Si vous prêtez ce produit à quelqu'un d'autre, prêtez également ces instructions à cette personne afin d'éviter une mauvaise utilisation du produit et d'éventuelles blessures.

SYMBOLES

Cette page présente et décrit les symboles qui peuvent figurer sur ce produit. Lisez, assurez-vous que vous comprenez et suivez toutes les instructions figurant sur le produit avant d'essayer de l'assembler et de le faire fonctionner.

	Alerte de sécurité	Précautions qui protègent votre sécurité.
	Lisez le mode d'emploi et assurez-vous que vous le comprenez.	Pour réduire le risque de blessure, l'utilisateur doit lire et comprendre le mode d'emploi avant de commencer à utiliser ce produit.
	Alerte concernant les conditions humides	N'exposez pas à la pluie et n'utilisez pas dans des endroits humides.
	Bluetooth®	Symbole Bluetooth®
	Courant alternatif (c.a.)	Type de courant
	Courant continu (c.c.)	Type ou caractéristique du courant
V	Volt	Tension
Ah	Ampère-heure	Capacité
lb	Livres	Poids
kg	Kilogramme	Poids
°F	Degrés Fahrenheit	Température
°C	Degrés Celsius	Température
IP...	Indice de protection (IP)	Classifie le degré de protection fourni par une enceinte pour le matériel électrique.
	Symboles de recyclage	Ce produit utilise des piles au lithium-ion (Li-ion). Les lois locales, régionales ou fédérales peuvent interdire la mise au rebut des piles avec les ordures ménagères. Appelez le numéro de téléphone ou visitez le site Web indiqué sur le symbole de recyclage qui se trouve sur votre pile pour trouver un point de dépôt de recyclage gratuit.

INTRODUCTION

Nous vous félicitons d'avoir choisi un nouveau bloc-piles EGO au Lithium-ion de 56 V. Il a été conçu, mis au point et fabriqué pour vous offrir la meilleure fiabilité et les meilleures performances possibles.


Si vous rencontrez un problème auquel vous ne pouvez pas remédier facilement, **veuillez contacter le service à la clientèle d'EGO au 1-855-EGO-5656.**

Ce mode d'emploi contient des informations importantes concernant l'assemblage, le fonctionnement et l'entretien de votre produit en toute sécurité. Lisez-le attentivement avant de commencer à utiliser le produit. Conservez ce mode d'emploi à portée de main afin de pouvoir vous y référer à tout moment.

NUMÉRO DE SÉRIE DATE D'ACHAT _____

VOUS DEVEZ ENREGISTRER LE NUMÉRO DE SÉRIE ET LA DATE D'ACHAT, ET LES CONSERVER DANS UN ENDROIT SÛR POUR TOUTE RÉFÉRENCE ULTÉRIEURE.

CARACTÉRISTIQUES TECHNIQUES

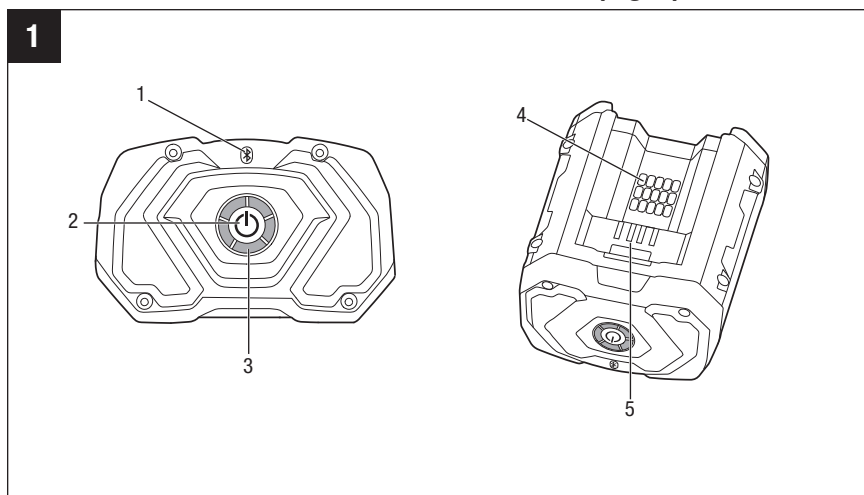
Tension	56 V 
Capacité nominale	8 Ah
Énergie nominale de la pile	448 Wh
Température de charge recommandée	5 °C – 40 °C / 41 °F – 104 °F
Température de stockage recommandée	10 °C – 26 °C / 50 °F – 80 °F
Poids	3 kg / 6,6 lb
Indice de protection	IPX5 (protection contre les jets d'eau)

LISTE DES ARTICLES INCLUS

NOM DE LA PIÈCE	QUANTITÉ
Bloc-piles	1
Mode d'emploi	1

DESCRIPTION

FAMILIARISEZ-VOUS AVEC VOTRE BLOC-PILES (Fig. 1)



1. Icône Bluetooth®

2. Bouton de mise sous tension/hors tension (bouton Bluetooth®)

3. Jauge de carburant à 5 DEL

4. Orifice d'air de refroidissement

5. Contacts de la pile

FONCTIONNEMENT

JAUGE DE CARBURANT À 5 DEL

Ce bloc-piles au lithium-ion est équipé d'une jauge de carburant à 5 DEL. Appuyez brièvement sur le bouton de mise sous tension/hors tension et la jauge de carburant à DEL affichera le niveau de charge de la pile ou son état de fonctionnement pendant 10 secondes.

JAUGE DE CARBURANT À 5 DEL		NIVEAU DE CHARGE DE LA PILE / ÉTAT DE FONCTIONNEMENT
	Les 5 DEL brillent constamment en vert.	Niveau de charge de 80 % à 100 %
	4 DEL brillent constamment en vert	Niveau de charge de 60 % à 80 %
	3 DEL brillent constamment en vert	Niveau de charge de 40 % à 60 %
	2 DEL brillent constamment en vert	Niveau de charge de 20 % à 40 %
	1 DEL brille constamment en vert	Niveau de charge de 10 % à 20 %
	1 DEL clignote en rouge	Niveau de charge inférieur à 10 %
	Les 5 DEL clignotent en rouge	Niveau de charge faible. Le bloc-piles est presque complètement déchargé et doit être rechargé immédiatement.
	Toutes les 5 DEL s'allument et brillent constamment en rouge	Le bloc-piles est trop chaud ou trop froid. Refroidissez ou réchauffez le bloc-piles jusqu'à ce que sa température atteigne la plage de température de -17 °C / -1 °F à / °C / 152 °F.
	Les 5 DEL clignotent en vert toutes les deux secondes.	Le bloc-piles effectue automatiquement un cycle d'auto-entretien pour prolonger sa durée de vie. Les 5 DEL effectueront le cycle jusqu'à ce que l'auto-entretien soit terminé.

PROTECTION DE LA PILE

Les circuits de la pile protègent le bloc-piles contre les températures extrêmes, la surdécharge et la surcharge. Pour protéger la pile contre les dommages et prolonger sa durée de vie, le circuit du bloc-piles l'éteint s'il est surchargé ou si la température devient trop élevée pendant l'utilisation. Ceci peut se produire dans des situations de couple extrêmement élevé, de blocage ou de décrochage. Le bloc-piles s'éteint et le voyant à DEL brille en rouge pendant 10 secondes lorsque sa température de fonctionnement dépasse 70 °C / 158 °F, et il recommence à fonctionner normalement lorsqu'elle redescend à 67 °C / 152 °F.




AVIS Une réduction significative de l'autonomie de fonctionnement après une charge complète du bloc-piles indique que les piles sont proches de la fin de leur durée de vie et doivent être remplacées.

FONCTIONNEMENT PAR TEMPS FROID

Ce bloc-piles au lithium-ion fournit des performances optimales à des températures comprises entre 10 °C / 50 °F et 26 °C / 80 °F. Lorsque le bloc-piles est très froid, il se peut qu'il émette des impulsions pendant la première minute d'utilisation pour se réchauffer. Installez le bloc-piles sur un outil et utilisez l'outil sans trop forcer. Au bout d'une minute environ, le bloc-piles se sera réchauffé et fonctionnera normalement.

Mode d'auto-diagnostic

Appuyez sur le bouton de mise sous tension/hors tension et maintenez-le enfoncé pendant six secondes. La pile entre en mode d'autodiagnostic et le(s) voyant(s) à DEL reste(nt) allumé(s) pendant environ 10 secondes.

JAUGE DE CARBURANT À 5 DEL		NIVEAU DE CHARGE DE LA PILE / ÉTAT DE FONCTIONNEMENT
	Les 5 DEL brillent constamment en vert.	Le bloc-piles fonctionne normalement.
	Les 5 DEL clignotent alternativement en vert et en rouge.	La pile est défectueuse. La pile ne peut être ni chargée, ni déchargée. Veuillez contacter le service à la clientèle d'EGO pour obtenir de l'aide.
	Les 5 DEL brillent constamment en orange.	La capacité de la pile est inférieure à 40 % de sa capacité initiale. Veuillez contacter le service à la clientèle d'EGO pour obtenir de l'aide.

TECHNOLOGIE BLUETOOTH® SANS FIL

Les produits intégrant la technologie sans fil Bluetooth® peuvent se connecter à des appareils mobiles.

Pour installer l'application EGO Connect™

1. Téléchargez l'application EGO Connect™ sur votre appareil mobile.
2. Créez un nouveau compte dans l'application EGO Connect™. Si vous avez déjà un compte, passez à l'étape 4.
3. Un courriel sera envoyé à l'adresse électronique enregistrée. Suivez les instructions contenues dans le courriel pour valider votre compte.
4. Connectez-vous à votre compte EGO dans l'application EGO Connect™.

Pour coupler l'application EGO Connect™ et le bloc-piles

Appuyez sur le bouton Bluetooth® et maintenez-le enfoncé pendant trois secondes, puis attendez que le bloc-piles se connecte. Les 5 DEL clignoteront en bleu pendant l'appariement.

Les 5 DEL brilleront constamment en bleu lorsque le bloc-piles sera connecté à votre appareil mobile.

Suivez les instructions de l'application EGO Connect™.

QUAND CHARGER LE BLOC-PILES

AVIS Ce bloc-piles au lithium-ion est livré partiellement chargé. Avant la première utilisation, chargez complètement le bloc-piles.

AVIS Ce bloc-piles est équipé d'une fonction avancée d'auto-entretien qui prolonge la durée de vie de la pile. En fonction de la charge de la pile, il effectuera automatiquement une opération d'autodécharge après un mois de stockage. Après cet auto-entretien, le bloc-piles passera en mode de veille et conservera 30 % de sa capacité de charge. S'il est stocké pendant un mois ou plus, rechargez complètement la pile avant la prochaine utilisation. Il n'est pas nécessaire d'épuiser la charge du bloc-piles avant de le recharger. La pile au lithium-ion peut être rechargée à tout moment, et elle ne développe pas de « mémoire » lorsqu'elle est rechargée après une décharge partielle. L'indicateur à 5 DEL permet de savoir quand le bloc-piles doit être rechargé.

COMMENT CHARGER LE BLOC-PILES

Suivez les instructions du mode d'emploi de chaque chargeur EGO.

COMMENT ATTACHER ET DÉTACHER LE BLOC-PILES

Suivez les instructions du mode d'emploi de chaque produit EGO.

ENTRETIEN

⚠ AVERTISSEMENT Pour éviter toute blessure grave, retirez toujours le bloc-piles de la machine lorsque vous la nettoyez ou lorsque vous effectuez des opérations d'entretien.

ENTRETIEN GÉNÉRAL

Évitez d'utiliser des solvants pour nettoyer les pièces en plastique. La plupart des plastiques sont susceptibles d'être endommagés par divers types de solvants commerciaux, et ils peuvent être endommagés par leur utilisation. Utilisez un chiffon propre pour enlever les saletés, la poussière, l'huile, la graisse, etc.

⚠ AVERTISSEMENT Ne laissez jamais de liquide de frein, d'essence, de produits à base de pétrole, d'huiles pénétrantes, etc. entrer en contact avec des composants en plastique. Les produits chimiques peuvent endommager, affaiblir ou détruire le plastique, ce qui pourrait entraîner des blessures graves.

⚠ AVERTISSEMENT Afin de réduire les risques d'incendie, de blessures et d'endommagement du produit dus à un court-circuit, n'immergez jamais votre machine, le bloc-piles ou le chargeur dans un liquide, et ne laissez jamais un liquide circuler à l'intérieur de ceux-ci. Les liquides corrosifs ou conducteurs, tels que l'eau de mer, certains produits chimiques industriels, l'eau de Javel ou les produits contenant de l'eau de Javel, etc. peuvent provoquer un court-circuit.

ENTRETIEN DU BLOC-PILES

Le bloc-piles est équipé de piles rechargeables au lithium-ion. La durée d'utilisation avec chaque charge dépend du type de travail effectué.

Les piles ont été conçues pour offrir une durée de vie maximale sans problème. Comme toutes les piles, elles finissent toujours par s'user.

Ne démontez pas le bloc-piles et n'essayez pas de remplacer les piles. La manipulation des piles, en particulier lorsque l'on porte des bagues et des bijoux, peut entraîner de graves brûlures.

Pour obtenir la plus longue durée de vie possible de la pile, lisez le mode d'emploi et assurez-vous que vous le comprenez.

- Il est conseillé de débrancher le chargeur et de retirer le bloc-piles au lithium-ion lorsqu'il n'est pas utilisé.

Pour le stockage des blocs-piles au lithium-ion pendant plus de 30 jours :

Conservez le bloc-piles au lithium-ion dans un endroit où la température est inférieure à 26 °C / 80 °F et à l'abri de l'humidité.

- Conservez les blocs-piles au lithium-ion à un niveau de charge de 30 % à 50 %.
- Après six mois de stockage, rechargez complètement le bloc-piles au lithium-ion.
- L'extérieur peut être nettoyé avec un chiffon ou une brosse douce non métallique.

RETRAIT DU BLOC-PILES ET PRÉPARATION AU RECYCLAGE



Pour préserver les ressources naturelles, veuillez recycler ou mettre au rebut les piles de manière appropriée. Ce produit contient des piles au lithium-ion. Les lois locales, régionales ou fédérales peuvent interdire la mise au rebut des piles au lithium-ion dans les ordures ménagères. Appelez le numéro de téléphone ou visitez le site Web indiqué sur le symbole de recyclage qui se trouve sur votre pile pour trouver un point de dépôt de recyclage gratuit.

⚠ AVERTISSEMENT Lorsque vous retirez le bloc-piles pour le mettre au rebut ou le recycler, recouvrez les bornes du bloc-piles avec du ruban adhésif résistant. N'essayez pas de détruire ou de désassembler le bloc-piles ou d'en retirer l'un de ses composants. Les piles au lithium-ion doivent être recyclées ou éliminées de manière appropriée. De même, ne touchez jamais les bornes avec des objets métalliques et/ou des parties du corps, car un court-circuit pourrait en résulter. Tenez hors de portée des enfants. Le non-respect de ces avertissements pourrait entraîner un incendie et/ou des blessures graves.

LE BLOC-PILES EST MOUILLÉ OU SUBMERGÉ

Si vous laissez tomber le bloc-piles dans l'eau, ou si un volume important d'eau pénètre dans le bloc-piles, vous devez **ARRÊTER D'UTILISER LE BLOC-PILES** et suivre les étapes ci-dessous :

REMARQUE : Contactez un centre de service à la clientèle d'EGO pour obtenir de l'assistance. Indiquez clairement : « Mon bloc-piles au lithium-ion a été immergé dans l'eau. »

⚠ AVERTISSEMENT **Ne touchez pas le bloc-piles avec les mains nues.**
Portez des gants en caoutchouc et des lunettes de sécurité.

⚠ AVERTISSEMENT **N'utilisez pas ou ne chargez pas le bloc-piles.**
La pénétration d'eau dans le bloc-piles entraîne un risque important d'incendie et d'explosion.

⚠ AVERTISSEMENT **N'ouvrez pas et ne mutilez pas le bloc-piles.**
L'électrolyte libéré est corrosif et peut causer des dommages aux yeux ou à la peau. Il peut être toxique s'il est avalé.

⚠ AVERTISSEMENT **Ne secouez pas, n'inclinez pas et ne faites pas tourner le bloc-piles.** L'agitation pourrait provoquer des courts-circuits internes.

⚠ AVERTISSEMENT **N'utilisez pas de chaleur ! N'utilisez JAMAIS de sèche-cheveux, de four ou de radiateur pour sécher le bloc-piles.** La chaleur peut déclencher un « emballement thermique », un incendie auto-entretenu qui ne peut pas être éteint facilement.

⚠ AVERTISSEMENT **Ne jetez pas de piles dans les ordures ménagères.**
Une pile au Li-ion endommagée est un déchet dangereux et doit être mise au rebut conformément aux lois et aux règlements en vigueur.

1. Placez soigneusement le bloc-piles dans une poubelle ou un seau ignifugé sec, si vous en disposez.
2. Placez le bloc-piles dans un endroit bien ventilé, ininflammable et à l'écart des personnes, des animaux domestiques et tout ce qui peut brûler. Ne le placez pas sur du bois, sur de la moquette ou dans une voiture.
3. **Pour des raisons de sécurité, il est fortement recommandé de placer la batterie dans un grand seau d'eau** avec de l'EAU FRAÎCHE et de l'immerger complètement pendant plus de 24 heures. Les cellules se déchargeront alors complètement de l'intérieur, et vous pourrez ensuite vous en débarrasser en toute sécurité dans votre dépôt de piles local.
4. Vous devez vous débarrasser de la pile en respectant les restrictions locales en matière de mise au rebut des piles.

RECHERCHE DE LA CAUSE DES PROBLÈMES

PROBLÈME	CAUSE	SOLUTION
Les 5 DEL brillent constamment en rouge lorsque le bloc-piles fonctionne.	<ul style="list-style-type: none"> Le bloc-piles est trop chaud ou trop froid. 	<ul style="list-style-type: none"> Refroidissez ou réchauffez le bloc-piles jusqu'à ce que sa température atteigne la plage de température comprise entre -17 °C / -1 °F et 67 °C / 152 °F.
Les 5 DEL clignotent en rouge lorsque le bloc-piles fonctionne.	<ul style="list-style-type: none"> La charge du bloc-piles est faible et presque épuisée. 	<ul style="list-style-type: none"> Chargez le bloc-piles.
Le bloc-piles ne peut être ni chargé, ni déchargé.	<ul style="list-style-type: none"> Après avoir appuyé sur le bouton de mise sous tension/hors tension et l'avoir maintenu enfoncé pendant six secondes, les cinq DEL clignotent alternativement en vert et en rouge, ce qui signifie que le bloc-piles est défectueux. 	<ul style="list-style-type: none"> Veillez contacter le service à la clientèle d'EGO pour obtenir de l'aide.
L'autonomie de fonctionnement du bloc-piles entièrement chargé est considérablement réduite.	<ul style="list-style-type: none"> Après avoir appuyé sur le bouton de mise sous tension/hors tension et l'avoir maintenu enfoncé pendant six secondes, les cinq DEL s'allument et brillent constamment en orange, ce qui signifie que la capacité de la pile est inférieure à 40 % de sa capacité d'origine. 	<ul style="list-style-type: none"> Veillez contacter le service à la clientèle d'EGO pour obtenir de l'aide.

PROBLÈME	CAUSE	SOLUTION
La charge du bloc-piles est réduite après plus d'un mois d'inutilisation.	<ul style="list-style-type: none">■ Le bloc-piles a effectué un cycle d'auto-entretien automatique pour prolonger sa durée de vie.	<ul style="list-style-type: none">■ Rechargez complètement le bloc-piles avant de le réutiliser.
L'embout de la pile devient chaud pendant le stockage. Les 5 DEL clignotent en vert toutes les deux secondes.	<ul style="list-style-type: none">■ Le bloc-piles effectue automatiquement un cycle d'auto-entretien pour prolonger sa durée de vie. Les DEL exécutent le cycle jusqu'à ce que l'auto-entretien soit terminé.	<ul style="list-style-type: none">■ Il s'agit d'un processus normal; aucune action n'est requise.

GARANTIE LIMITÉE D'EGO

CONDITIONS ET DURÉE DE LA POLITIQUE DE GARANTIE

Chervon North America, Inc. (« Chervon North America, Naperville, IL 60563 ») accorde la Garantie limitée suivante pour les produits EGO à l'acheteur initial de produits EGO.

La période de garantie détaillée de chaque produit EGO est indiquée en ligne à l'adresse <http://egopowerplus.com/warranty-policy>.

Veillez contacter le Service à la clientèle d'EGO en téléphonant au 1-855-EGO-5656 (appel gratuit) à tout moment en cas de questions, si vous voulez vous prévaloir de la garantie.

GARANTIE LIMITÉE DE SERVICE APRÈS-VENTE

Les produits EGO sont garantis contre tout défaut de matériel ou de fabrication à partir de la date d'achat au détail originale et pendant la période de garantie applicable. Pour toute demande de garantie soumise correctement et dans les délais, si Chervon North America détermine qu'un produit est défectueux pendant la période de garantie, le produit sera réparé ou remplacé gratuitement, selon ce qui aura été déterminé par Chervon North America.

COMMENT OBTENIR DE L'ASSISTANCE DANS LE CADRE DU SERVICE APRÈS-VENTE

Pour obtenir de l'assistance dans le cadre de la garantie (pendant la période de garantie applicable), veuillez contacter le service à la clientèle d'EGO en téléphonant au **1-855-EGO-5656** (appel gratuit). Lorsque vous demandez de l'assistance dans le cadre de la garantie, vous devez présenter le reçu de vente original daté. Un centre de service après-vente agréé sera sélectionné pour évaluer et réparer le produit défectueux conformément aux conditions de garantie énoncées. Lorsque vous apportez votre produit au centre de service après-vente agréé, il se peut qu'une petite caution vous soit demandée lors du dépôt de votre outil. Cette caution est remboursable lorsque le service de réparation est considéré comme étant couvert par la garantie. Il incombe à l'acheteur d'effectuer le transport de tous les équipements électriques d'extérieur ou attachements à ses frais.

LIMITATIONS ET EXCLUSIONS SUPPLÉMENTAIRES

Cette garantie limitée ne s'applique qu'à l'acheteur initial d'un produit à un revendeur agréé EGO, et elle ne peut pas être cédée. Les produits EGO ne sont pas considérés comme défectueux et la présente garantie ne s'applique pas lorsque le défaut invoqué est imputable à une cause autre que les défauts définis ci-dessus. Cette garantie est nulle et non avenue si le produit a été utilisé à des fins de location. La présente garantie ne s'applique pas aux dommages causés par un accident, un abus, une



mauvaise utilisation, une altération, une modification, une réparation non autorisée, un contact avec un liquide, un incendie, un tremblement de terre ou toute autre cause externe ; par une utilisation du produit en dehors des instructions, spécifications ou directives d'EGO ; ou par un manquement à l'entretien ou à la maintenance convenable du produit. Cette garantie ne s'applique pas non plus aux dommages esthétiques, y compris, mais sans s'y limiter, les rayures ou les bosses, ainsi qu'aux défauts causés par l'usure normale ou autrement dus au vieillissement normal du produit.

CETTE GARANTIE EXPRESSE EST DONNÉE EN LIEU ET PLACE DE TOUTE AUTRE GARANTIE, EXPRESSE OU IMPLICITE, Y COMPRIS, MAIS SANS S'Y LIMITER, TOUTE GARANTIE DE QUALITÉ MARCHANDE OU D'ADÉQUATION À UN USAGE PARTICULIER, QUI EST REJETÉE. Toute garantie implicite, y compris la garantie de qualité marchande ou d'adéquation à un usage particulier qui ne peut être rejetée en vertu de la loi de l'État ou de la province est limitée à la période de garantie applicable définie au début de cet article. Le seul et unique recours en rapport avec l'achat, l'installation, l'utilisation et/ou la performance des produits EGO est la réparation ou le remplacement du produit selon la décision de Chervon North America. La responsabilité maximale de Chervon North America ne dépassera en aucun cas le prix d'achat payé pour le produit. CHERVON NORTH AMERICA NE SERA PAS RESPONSABLE ENVERS L'UTILISATEUR OU TOUTE AUTRE PERSONNE DES DOMMAGES CONSÉCUTIFS, ACCIDENTELS, SPÉCIAUX, EXEMPLAIRES, INDIRECTS OU PUNITIFS RÉSULTANT DE L'UTILISATION DES PRODUITS, Y COMPRIS, MAIS SANS S'Y LIMITER, LES PRÉJUDICES CORPORELS, LA MORT, LES DOMMAGES MATÉRIELS, LA PERTE DE BÉNÉFICES OU TOUT AUTRE DOMMAGE ÉCONOMIQUE. Cette garantie vous confère des garanties juridiques particulières, et vous pouvez aussi avoir d'autres droits, qui varient selon l'État ou la province. Étant donné que certains États et certaines provinces ne permettent pas de limitations quant à la durée d'une garantie implicite ou ne permettent pas l'exclusion ou la limitation des dommages indirects ou secondaires, ou le délai de prescription pour intenter certaines actions, il est possible que les limitations contenues aux présentes ne s'appliquent pas à consommateurs dans ces États ou provinces.

Cette garantie est soumise au droit du Michigan et doit être interprétée conformément au droit du Michigan sans tenir compte des principes de conflits de lois. Aucune action en justice ne pourra être intentée contre Chervon North America si elle n'est pas déposée dans un délai d'un (1) an après que le fondement de cette action en justice aura été connu, ou qu'il aurait dû l'être si une diligence raisonnable avait été exercée. Toute action non intentée dans les délais est réputée abandonnée.

Pour le service à la clientèle, contactez-nous en téléphonant au numéro suivant (appel gratuit) : **1-855-EGO-5656** ou **EGOPOWERPLUS.COM**.

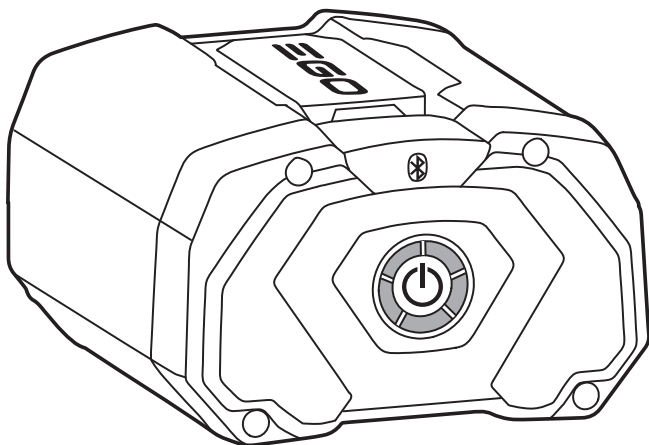
EGO Customer Service,
769 Seward Ave. NW, Suite 102,
Grand Rapids, Michigan 49504.

40

PILE ARC LITHIUM DE 56 V, 8,0 AH MAX. — BA4480X/BA4480X-FC

EGO™

POWER⁺ BATTERY™



MANUAL DEL OPERADOR

BATERÍA ARC LITHIUM DE 56 V Y 8,0 AH MÁX.

NÚMERO DE MODELO BA4480X/BA4480X-FC

⚠ ADVERTENCIA: Para reducir el riesgo de lesiones, el usuario debe leer y comprender el Manual del propietario antes de usar este producto. Guarde estas instrucciones para referencia futura.

¡LEA TODAS LAS INSTRUCCIONES!



READ & UNDERSTAND
OPERATOR'S MANUAL

ÍNDICE

Símbolos de seguridad	43
Instrucciones generales de seguridad.....	44-45
Instrucciones de seguridad para el paquete de batería	46-47
Símbolos	48-49
Introducción.....	50
Especificaciones	50
Lista de empaquetamiento	51
Descripción	52
Utilización	53-56
Mantenimiento.....	57-59
Resolución de problemas	60-61
Garantía Limitada de EGO	62-63

SÍMBOLOS DE SEGURIDAD

El propósito de los símbolos de seguridad es atraer la atención del usuario hacia posibles peligros. Los símbolos de seguridad y las explicaciones que los acompañan merecen que usted preste una atención detenida y logre una comprensión profunda. Las advertencias con símbolo no eliminan por sí mismas ningún peligro. Las instrucciones y las advertencias que dichas instrucciones dan no son sustitutos de las medidas adecuadas de prevención de accidentes.

⚠ ADVERTENCIA Asegúrese de leer y entender todas las instrucciones de seguridad contenidas en este manual del operador, incluyendo todos los símbolos de alerta de seguridad, tales como “PELIGRO”, “ADVERTENCIA” y “PRECAUCIÓN”, antes de utilizar este producto. Si no se siguen todas las instrucciones que se indican a continuación, es posible que el resultado sea descargas eléctricas, incendio y/o lesiones corporales graves.

Las definiciones que aparecen a continuación describen el nivel de gravedad de cada palabra de aviso. Por favor, lea el manual y preste atención a estos símbolos.

	<p>Este es el símbolo de alerta de seguridad. Se utiliza para alertarle a usted de peligros potenciales de lesiones corporales. Obedezca todos los mensajes de seguridad que sigan a este símbolo para evitar posibles lesiones o la muerte.</p>
<p>⚠ PELIGRO</p>	<p>PELIGRO indica una situación peligrosa que, si no se evita, causará la muerte o lesiones graves.</p>
<p>⚠ ADVERTENCIA</p>	<p>ADVERTENCIA indica una situación peligrosa que, si no se evita, podría causar la muerte o lesiones graves.</p>
<p>⚠ PRECAUCIÓN</p>	<p>PRECAUCIÓN, utilizada con el símbolo de alerta de seguridad, indica una situación peligrosa que, si no se evita, causará lesiones leves o moderadas.</p>

MENSAJES DE PREVENCIÓN DE DAÑOS E INFORMACIÓN

Estos mensajes ofrecen al usuario información y/o instrucciones importantes que hay que seguir para no causar daños al equipo u otros daños materiales. Cada mensaje va precedido por la palabra “AVISO”, como en el ejemplo que aparece a continuación:

AVISO Si no se siguen estas instrucciones, es posible que se produzcan daños al equipo y/o daños materiales.

INSTRUCCIONES GENERALES DE SEGURIDAD

⚠ ADVERTENCIA Lea y entienda todas las instrucciones. Si no se siguen todas las instrucciones que se indican a continuación, es posible que el resultado sea descargas eléctricas, incendio y/o lesiones graves.

⚠ ADVERTENCIA Para garantizar la seguridad y la confiabilidad, todas las reparaciones deberán ser realizadas por un técnico de servicio calificado.

Guarde todas las advertencias e instrucciones para referencia futura.

SEGURIDAD EN EL ÁREA DE TRABAJO

- **Mantenga el área de trabajo limpia y bien iluminada.** Las áreas desordenadas u oscuras invitan a que se produzcan accidentes.
- **No utilice máquinas en atmósferas explosivas, tales como las existentes en presencia de líquidos, gases o polvos inflamables.** Las máquinas generan chispas, las cuales es posible que incendien el polvo o los vapores.

SEGURIDAD ELÉCTRICA

- **No esponga las máquinas a la lluvia ni a condiciones mojadas.** La entrada de agua en la máquina aumentará el riesgo de descargas eléctricas.
- **Utilice el producto solo con los cargadores que se indican a continuación:**

CARGADORES	CH2100, CH2100-FC, CH3200, CH3200-FC, CH5500/CH5500-FC, CH2800D, CH2800D-FC, CH7000/CH7000-FC, CH7000T/CH7000T-FC
CONCENTRADOR+BASE DE CARGA	PGX1600H/PGX1600H-FC+ PGX3000D/PGX3000D-FC
CONCENTRADOR+BANCO DE ALIMENTACIÓN	PGX1600H/PGX1600H-FC+ PGX1400PB/PGX1400PB-FC

USO Y CUIDADO DE LAS MÁQUINAS A BATERÍA

- **Prevenga los arranques accidentales. Asegúrese de que el interruptor esté en la posición de apagado antes de conectar el aparato eléctrico al paquete de batería, levantar el aparato eléctrico o transportarlo.** Si se transporta el aparato eléctrico con el dedo en el interruptor o si se suministra corriente a aparatos eléctricos que tengan el interruptor en la posición de encendido se invita a que se produzcan accidentes.
- **Desconecte el paquete de batería del aparato eléctrico antes de hacer cualquier ajuste, cambiar accesorios o almacenar el aparato eléctrico.** Dichas medidas preventivas de seguridad reducen el riesgo de arrancar accidentalmente el aparato eléctrico.
- **No modifique ni intente reparar el aparato eléctrico o el paquete de batería (según sea aplicable), excepto tal y como se indique en las instrucciones de uso y cuidado.**
- **No utilice un paquete de batería o un aparato eléctrico que estén dañados o modificados.** Es posible que las baterías dañadas o modificadas exhiban un comportamiento imprevisible que cause un incendio, una explosión o riesgo de lesiones.
- **Realice las recargas solo con el cargador especificado por el fabricante.** Es posible que un cargador que sea adecuado para un tipo de paquete de batería cree un riesgo de incendio cuando se utilice con otro paquete de batería.
- **Utilice las máquinas solo con los paquetes de batería designados específicamente.** Es posible que el uso de cualquier otro paquete de batería cree un riesgo de lesiones e incendio.
- **Cuando el paquete de batería no se esté utilizando, manténgalo alejado de otros objetos metálicos, tales como clips sujetapapeles, monedas, llaves, clavos, tornillos u otros objetos metálicos pequeños que puedan hacer una conexión de un terminal con otro.** Si se cortocircuitan juntos los terminales de la batería, es posible que se causen quemaduras o un incendio.
- **En condiciones abusivas, es posible que se expulse líquido de la batería; evite el contacto.** Si se produce contacto accidentalmente, enjuáguese con agua. Si entra líquido en contacto con los ojos, busque adicionalmente ayuda médica. Es posible que el líquido expulsado de la batería cause irritación o quemaduras.

SERVICIO DE AJUSTES Y REPARACIONES

- **Siga las instrucciones de la sección Mantenimiento de este manual.** Es posible que el uso de piezas no autorizadas o el hecho de no seguir las instrucciones de Mantenimiento cause un riesgo de descargas eléctricas o lesiones.

INSTRUCCIONES DE SEGURIDAD PARA EL PAQUETE DE BATERÍA

- **Conozca su máquina eléctrica. Lea detenidamente el manual del operador. Aprenda sus aplicaciones y limitaciones, así como los peligros potenciales específicos relacionados con esta herramienta. Al seguir esta regla se reducirá el riesgo de descargas eléctricas, incendio o lesiones graves.**
- **Las máquinas a batería no tienen que enchufarse en un tomacorriente; por lo tanto, siempre están en condiciones de funcionamiento.** Esté atento a los posibles peligros cuando no esté utilizando su máquina a batería o cuando esté cambiando accesorios. Al seguir esta regla se reducirá el riesgo de descargas eléctricas, incendio o lesiones graves.
- **No exponga un paquete de batería o un aparato eléctrico a un fuego o a una temperatura excesiva.** Es posible que la exposición a un fuego o a una temperatura superior a 212 °F (100 °C) cause una explosión.
- **No deseche las baterías en un fuego.** Es posible que las celdas exploten. Consulte los códigos locales para obtener posibles instrucciones especiales de eliminación.
- **No abra ni mutile la batería.** El electrolito liberado es corrosivo y puede que cause daños en los ojos o la piel. Es posible que sea tóxico si se traga.
- **No aplaste, deje caer ni dañe el paquete de batería.** No utilice un paquete de batería o un cargador que se haya caído o haya recibido un golpe fuerte. Una batería dañada está sujeta a explosión. Deseche inmediatamente de manera adecuada una batería que se haya caído o este dañada.
- **Las baterías desprenden gas hidrógeno y pueden explotar en presencia de una fuente de ignición, como por ejemplo una luz piloto.** Para reducir el riesgo de lesiones corporales graves, no utilice nunca ningún producto inalámbrico en presencia de una llama al descubierto. Una batería que explote puede propulsar residuos y sustancias químicas. En caso de exposición, enjuáguese con agua de inmediato.
- **No cargue la batería en un lugar húmedo o mojado.** Al seguir esta regla se reducirá el riesgo de descargas eléctricas.


- **Siga todas las instrucciones de carga y no cargue el paquete de batería ni el aparato eléctrico fuera del intervalo de temperatura especificado en las instrucciones.** Es posible que la realización de la carga de manera inadecuada o a temperaturas que estén fuera del intervalo especificado dañe la batería y aumente el riesgo de incendio. La temperatura especificada es superior a 41 °F (5 °C) e inferior a 104 °F (40 °C).
- **En condiciones extremas de uso o temperatura, es posible que se produzcan fugas de la batería.** Si entra líquido en contacto con la piel, lávela inmediatamente con agua y jabón, y luego neutralícela con jugo de limón o vinagre. Si le entra líquido en los ojos, enjuáguelos con agua limpia durante al menos 10 segundos y luego busque atención médica inmediata. Al seguir esta regla se reducirá el riesgo de lesiones corporales graves.
- **No deje que gasolina, aceites, productos a base de petróleo, etc., entren en contacto con las piezas de plástico.** Estas sustancias contienen sustancias químicas que pueden dañar, debilitar o destruir el plástico.
- **Haga que su paquete de batería reciba servicio de ajustes y reparaciones por un técnico de servicio calificado que utilice únicamente piezas de repuesto idénticas.** Esto garantizará que se mantenga la seguridad del paquete de batería.

¡GUARDE ESTAS INSTRUCCIONES! Consúltelas frecuentemente y utilícelas para instruir a otras personas que puedan utilizar este producto. Si le presta este producto a otra persona, préstele también estas instrucciones para evitar un uso incorrecto del producto y posibles lesiones.

SÍMBOLOS

Esta página muestra y describe los símbolos de seguridad que es posible que aparezcan en este producto. Lea, entienda y siga todas las instrucciones que se encuentran en el producto antes de intentar ensamblarlo y utilizarlo.

	Alerta de seguridad	Precauciones que involucran la seguridad del operador
	Lea y entienda el manual del operador	Para reducir el riesgo de lesiones, el usuario debe leer y entender el manual del operador antes de utilizar este producto.
	Alerta de condiciones mojadas	No exponga el producto a la lluvia ni lo utilice en lugares húmedos.
	Bluetooth®	Símbolo de Bluetooth®
	Corriente alterna (CA)	Tipo de corriente
	Corriente continua (CC)	Tipo o característica de corriente
V	Voltio	Tensión
Ah	Amperios-hora	Capacidad
lb	Libras	Peso
kg	Kilogramo	Peso
°F	Grados Fahrenheit	Temperatura
°C	Grados Celsius	Temperatura
IP...	Calificación de protección contra la penetración (IP)	Clasifica el grado de protección proporcionada por un recinto cerrado para equipos eléctricos.

	Símbolos de reciclaje	<p>Este producto utiliza baterías de ion litio (ion Li). Es posible que las leyes locales ,estatales o federales prohíban la eliminación de las baterías en la basura ordinaria. Llame al número de teléfono o visite el sitio web indicado en el símbolo de reciclaje que se encuentra en su batería para localizar un centro de acopio para reciclaje gratis.</p>
---	-----------------------	---

INTRODUCCIÓN


Felicitaciones por su selección del nuevo paquete de batería de ion litio EGO de 56 V. Este producto ha sido diseñado, concebido y fabricado para ofrecerle a usted la mejor confiabilidad y el mejor rendimiento posibles.

En el caso de que tenga cualquier problema que no pueda remediar fácilmente, **sírvase contactar a servicio al cliente de EGO llamando al 1-855-EGO-5656.**

Este manual contiene información importante sobre el ensamblaje, la utilización y el mantenimiento de manera segura de su producto. Léalo detenidamente antes de utilizar el producto. Tenga este manual al alcance de la mano para poder consultarlo en cualquier momento.

NÚMERO DE SERIE _____ FECHA DE COMPRA _____
USTED DEBERÁ ANOTAR TANTO EL NUMERO DE SERIE COMO LA FECHA DE COMPRA Y CONSERVARLOS EN UN LUGAR SEGURO PARA REFERENCIA FUTURA

ESPECIFICACIONES

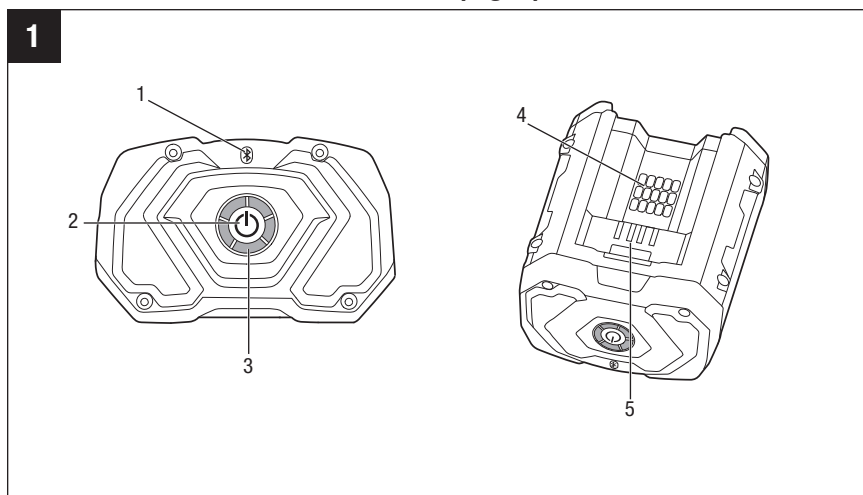
Tensión	56 V 
Capacidad nominal	8 Ah
Energía nominal de la batería	448 Wh
Temperatura de carga recomendada	41 – 104 °F (5 – 40 °C)
Temperatura de almacenamiento recomendada	50 – 80 °F (10 – 26 °C)
Peso	6,6 lb (3 kg)
Calificación de protección contra la penetración	IPX5 (protección contra los chorros de agua)

LISTA DE EMPAQUETAMIENTO

NOMBRE DE LA PIEZA	CANTIDAD
Paquete de batería	1
Manual del operador	1

DESCRIPCIÓN

CONOZCA SU PAQUETE DE BATERÍA (Fig. 1)



1. Ícono de Bluetooth®

2. Botón de alimentación
(botón de Bluetooth®)

3. Indicador de combustible con
5 luces LED

4. Puerto de aire de enfriamiento

5. Contactos de la batería

UTILIZACIÓN

INDICADOR DE COMBUSTIBLE CON 5 LUCES LED

Este paquete de batería de ion litio cuenta con un indicador de combustible con 5 luces LED. Presione brevemente el botón de alimentación y el indicador de combustible LED mostrará el nivel de carga o el estado de funcionamiento de la batería durante 10 segundos.

INDICADOR DE COMBUSTIBLE CON 5 LUCES LED		NIVEL DE CARGA / ESTADO DE FUNCIONAMIENTO DE LA BATERÍA
	Las 5 luces LED se iluminan en verde continuo	Nivel de carga del 80% al 100%
	4 luces LED se iluminan en verde continuo	Nivel de carga del 60% al 80%
	3 luces LED se iluminan en verde continuo	Nivel de carga del 40% al 60%
	2 luces LED se iluminan en verde continuo	Nivel de carga del 20% al 40%
	1 luz LED se ilumina en verde continuo	Nivel de carga del 10% al 20%
	1 luz LED parpadea en rojo.	El nivel de carga es inferior al 10%
	Las 5 luces LED parpadean en rojo	Nivel de carga bajo. La carga del paquete de batería está casi agotada y es necesario cargar inmediatamente dicho paquete.
	Las 5 luces LED se iluminan en rojo continuo	El paquete de batería está demasiado caliente o demasiado frío. Enfrié o caliente el paquete de batería hasta que su temperatura alcance el intervalo de temperatura de -1 °F (-17 °C) – 152 °F (67 °C).

INDICADOR DE COMBUSTIBLE CON 5 LUCES LED		NIVEL DE CARGA / ESTADO DE FUNCIONAMIENTO DE LA BATERÍA
	Las 5 luces LED parpadean en verde cada dos segundos.	El paquete de batería está realizando automáticamente un automantenimiento para prolongar su vida útil. La 5 luces LED realizarán el ciclo hasta que el automantenimiento haya terminado.

PROTECCIÓN DE LA BATERÍA

La circuitería de la batería protege el paquete de batería contra la temperatura extrema, la sobredescarga y la sobrecarga. Para proteger la batería contra los daños y prolongar su vida útil, la circuitería del paquete de batería apagará dicho paquete si este se sobrecarga o si la temperatura llega a ser demasiado alta durante el uso. Es posible que esto suceda en condiciones de fuerza de torsión extremadamente alta, atoramiento o parada por bloqueo. El paquete de batería se apagará con el indicador LED iluminado en rojo durante 10 segundos cuando su temperatura de funcionamiento exceda 158 °F (70 °C) y comenzará el funcionamiento normal cuando regrese a 152 °F (67 °C).

AVISO Un tiempo de funcionamiento reducido significativamente después de cargar completamente un paquete de batería indica que las baterías están cerca del final de su vida útil y el paquete de batería debe ser reemplazado.

UTILIZACIÓN EN TIEMPO FRÍO

Este paquete de batería de ion litio proporcionará un rendimiento óptimo a temperaturas entre 50 °F (10 °C) y 80 °F (26 °C). Cuando el paquete de batería esté muy frío, es posible que "pulse" durante el primer minuto de uso para calentarse. Instale el paquete de batería en una herramienta y utilice la herramienta en modo de funcionamiento ligero. Después de aproximadamente un minuto, el paquete de batería se habrá calentado y funcionará normalmente.

Modo de autodiagnóstico

Presione y mantenga presionado el botón de alimentación durante seis segundos. La batería entrará en el modo de autodiagnóstico y la luz LED o las luces LED permanecerán iluminadas durante aproximadamente 10 segundos.

INDICADOR DE COMBUSTIBLE CON 5 LUCES LED		NIVEL DE CARGA / ESTADO DE FUNCIONAMIENTO DE LA BATERÍA
	Las 5 luces LED se iluminan en verde continuo.	El paquete de batería funciona normalmente.
	Las 5 luces LED están parpadeando en verde y rojo alternadamente.	Batería defectuosa. La batería no se puede cargar o descargar. Sírvase contactar a servicio al cliente de EGO para obtener ayuda.
	Las 5 luces LED se iluminan en naranja continuo.	La capacidad de la batería está un 40% por debajo de su capacidad original. Sírvase contactar a servicio al cliente de EGO para obtener ayuda.

TECNOLOGÍA INALÁMBRICA BLUETOOTH®

Los productos con tecnología inalámbrica Bluetooth® incorporada se pueden conectar a dispositivos móviles.

Para instalar la app EGO Connect™

1. Descargue la app EGO Connect™ a su dispositivo móvil.
2. Cree una cuenta nueva en la app EGO Connect™. Si ya tiene una cuenta, salte al paso 4.
3. Se le enviará un correo electrónico a la dirección de correo electrónico registrada. Siga las instrucciones contenidas en el correo electrónico para validar su cuenta.
4. Inicie sesión en su cuenta EGO en la app EGO Connect™.

Para emparejar la EGO Connect™ y el paquete de batería.

Presione el botón de Bluetooth® durante 3 segundos y luego espere a que el paquete de batería se conecte. Las 5 luces LED parpadearán en azul durante el emparejamiento.

Las 5 luces LED se iluminarán en azul continuo cuando el paquete de batería esté conectado a su dispositivo móvil.

Siga las instrucciones incluidas en la app EGO Connect™.

CUÁNDO CARGAR EL PAQUETE DE BATERÍA

AVISO Este paquete de batería de ion litio se envía parcialmente cargado. Antes de utilizar por primera vez el paquete de batería, cárguelo completamente.

AVISO Este paquete de batería está equipado con una avanzada función de automantenimiento para prolongar la vida útil de la batería. Dependiendo de la carga de la batería, el paquete de batería realizará automáticamente una operación de autodescarga después de un mes de almacenamiento. Después de este automantenimiento, el paquete de batería entrará en el modo de suspensión y mantendrá el 30% de su capacidad de carga. Si se almacena durante un mes o más, recargue completamente la batería antes del próximo uso. No es necesario descargar completamente el paquete de batería antes de recargarlo. La batería de ion litio se puede cargar en cualquier momento y no desarrollará una "memoria" cuando se cargue después de solo una descarga parcial. Utilice el indicador de 5 luces LED para determinar cuándo es necesario recargar el paquete de batería.

CÓMO CARGAR EL PAQUETE DE BATERÍA

Siga las instrucciones del manual del operador del cargador EGO individual.

CÓMO INSTALAR Y DESINSTALAR EL PAQUETE DE BATERÍA

Siga las instrucciones indicadas en el manual del operador del producto EGO individual.

MANTENIMIENTO

⚠ ADVERTENCIA Para evitar lesiones corporales graves, retire siempre el paquete de batería de la máquina cuando haga limpieza o realice cualquier mantenimiento.

MANTENIMIENTO GENERAL

Evite utilizar solventes cuando limpie las piezas de plástico. La mayoría de los plásticos son susceptibles a sufrir daños por diversos tipos de solventes comerciales y es posible que resulten dañados por el uso de los mismos. Utilice un paño limpio para retirar la suciedad, el polvo, el aceite, la grasa, etc.

⚠ ADVERTENCIA No deje nunca que líquidos de freno, gasolina, productos a base de petróleo, aceites penetrantes, etc., entren en contacto con las piezas de plástico. Las sustancias químicas pueden dañar, debilitar o destruir el plástico, lo cual es posible que cause lesiones corporales graves.

⚠ ADVERTENCIA Para reducir el riesgo de incendio, lesiones corporales y daños al producto debido a un cortocircuito, no sumerja nunca su máquina, el paquete de batería o el cargador en un líquido ni deje que un líquido fluya dentro de ellos. Los líquidos corrosivos o conductores, tales como agua de mar, ciertos productos químicos industriales y el blanqueador o los productos que contienen blanqueador, etc., pueden causar un cortocircuito.

MANTENIMIENTO DEL PAQUETE DE BATERÍA

El paquete de batería está equipado con baterías recargables de ion litio. La duración de uso de cada carga dependerá del tipo de trabajo realizado.

Las baterías han sido diseñadas para proporcionar la máxima vida útil libre de problemas. Al igual que todas las baterías, estas baterías se desgastarán con el tiempo.

No desensamble el paquete de batería ni intente reemplazar las baterías. El manejo de las baterías, especialmente cuando se tengan puestos anillos y joyas, podría causar una quemadura grave.

Para obtener la vida útil más prolongada de la batería, lea y entienda el manual del operador.

- Es una buena práctica desenchufar el cargador y retirar el paquete de batería de ion litio cuando no se esté utilizando.

Para almacenar el paquete de batería de ion litio durante más de 30 días:

Almacene el paquete de batería de ion litio donde la temperatura sea inferior a 80 °F (26 °C) y libre de humedad.

- Almacene los paquetes de batería de ion litio en un estado de carga del 30% – 50%.
- Cada seis meses de almacenamiento, cargue completamente el paquete de batería de ion litio.
- El exterior se puede limpiar con un paño o con un cepillo blando no metálico.

DESINSTALACIÓN DEL PAQUETE DE BATERÍA Y PREPARACIÓN PARA EL RECICLAJE



Para preservar los recursos naturales, sírvase recicla o desechar adecuadamente las baterías. Este producto contiene baterías de ion litio. Es posible que las leyes locales, estatales o federales prohíban la eliminación de las baterías de ion litio en la basura ordinaria. Llame al número de teléfono o visite el sitio web indicado en el símbolo de reciclaje que se encuentra en su batería para localizar un centro de acopio para reciclaje gratis.

⚠ ADVERTENCIA Una vez que haya desinstalado el paquete de batería para desecharlo o reciclarlo, cubra los terminales del paquete de batería con cinta adhesiva gruesa. No intente destruir ni desensamblar el paquete de batería, ni retirar cualquiera de sus componentes. Las baterías de ion litio se deben reciclar o desechar adecuadamente. Además, no toque nunca los terminales con objetos metálicos y/o partes del cuerpo, ya que es posible que el resultado sea un cortocircuito. Mantenga el producto alejado de los niños. Si no se siguen estas advertencias, el resultado podría ser un incendio y/o lesiones graves.

EL PAQUETE DE BATERÍA SE MOJA O SE SUMERGE

Si se le cae el paquete de batería en agua o si un volumen grande de agua entra en el paquete de batería, debe **DEJAR DE UTILIZAR EL PAQUETE DE BATERÍA** y seguir estos pasos:

NOTA: Contacte a servicio al cliente de EGO para obtener asistencia. Diga claramente: “Mi paquete de batería de ion litio se ha sumergido en agua”.

⚠ ADVERTENCIA No toque el paquete de batería con las manos desnudas. Use guantes de caucho y anteojos de seguridad.

⚠ ADVERTENCIA No utilice ni cargue el paquete de batería. La entrada de agua en el paquete de batería causará un riesgo significativo de incendio y explosión.

⚠ ADVERTENCIA No abra ni mutile el paquete de batería. El electrolito liberado es corrosivo y es posible que cause daños a los ojos o la piel. Puede que sea tóxico si se traga.

⚠ ADVERTENCIA No agite, incline ni sacuda el paquete de batería. La agitación puede causar cortocircuitos internos.

⚠ ADVERTENCIA No use calor. No utilice **NUNCA** un secador de pelo, un horno ni un calentador para secar el paquete de batería. El calor puede desencadenar una “fuga térmica”, un incendio autosostenido que no se puede extinguir fácilmente.

⚠ ADVERTENCIA No deseche la batería en la basura doméstica. Una batería de ion Li dañada es un residuo peligroso y debe ser desechada de acuerdo con las leyes y reglamentos aplicables.

1. Coloque con cuidado el paquete de batería en una cubeta o un recipiente seco e ignífugo, si está disponible.
2. Ponga el paquete de batería en un área bien ventilada y no inflamable, alejada de la gente, los animales domésticos y cualquier cosa que pueda arder. No lo ponga sobre madera o alfombra, ni dentro de un auto.
3. Por seguridad, se recomienda enfáticamente colocar la batería en una cubeta de agua grande con **AGUA POTABLE** y **SUMERGIR COMPLETAMENTE** el paquete de batería durante más de 24 horas. Esto hará que las celdas se descarguen internamente por completo y que sea seguro desecharla en su centro local de eliminación de baterías.
4. Debe desechar la batería siguiendo las restricciones locales de eliminación de baterías.

RESOLUCIÓN DE PROBLEMAS

PROBLEMA	CAUSA	SOLUCIÓN
Las 5 luces LED se iluminan en rojo continuo cuando el paquete de batería está funcionando.	<ul style="list-style-type: none">■ El paquete de batería está demasiado caliente o demasiado frío.	<ul style="list-style-type: none">■ Enfríe o caliente el paquete de batería hasta que su temperatura alcance el intervalo de temperatura de -1 °F (-17 °C) – 152 °F (67 °C).
Las 5 luces LED parpadean en rojo cuando el paquete de batería está funcionando	<ul style="list-style-type: none">■ La carga del paquete de batería está baja y casi agotada.	<ul style="list-style-type: none">■ Cargue el paquete de batería.
El paquete de batería no se puede cargar o descargar.	<ul style="list-style-type: none">■ Después de presionar y mantener presionado el botón de alimentación durante seis segundos, las 5 luces LED parpadean alternadamente en verde y rojo, lo cual significa que el paquete de batería está defectuoso.	<ul style="list-style-type: none">■ Sírvase contactar a servicio al cliente de EGO para obtener ayuda.
El tiempo de funcionamiento del paquete de batería completamente cargado está reducido significativamente.	<ul style="list-style-type: none">■ Después de presionar y mantener presionado el botón de alimentación durante seis segundos, las 5 luces LED se iluminan en naranja continuo, lo cual significa que la capacidad de la batería es inferior al 40% de su capacidad original.	<ul style="list-style-type: none">■ Sírvase contactar a servicio al cliente de EGO para obtener ayuda.
La carga de paquete de batería se reduce después de más de un mes sin utilizarse.	<ul style="list-style-type: none">■ El paquete de batería ha realizado automáticamente el automantenimiento para prolongar su vida útil.	<ul style="list-style-type: none">■ Recargue completamente el paquete de batería antes de utilizarlo.

PROBLEMA	CAUSA	SOLUCIÓN
La tapa de extremo del paquete de batería se calienta durante el almacenamiento. Las 5 luces LED parpadean en verde cada dos segundos.	<ul style="list-style-type: none">■ El paquete de batería está realizando automáticamente un automantenimiento para prolongar su vida útil. Las luces LED realizarán el ciclo hasta que el mantenimiento haya terminado.	<ul style="list-style-type: none">■ Funcionamiento normal; no se requiere ninguna acción.

GARANTÍA LIMITADA DE EGO

TÉRMINOS Y DURACIÓN DE LA PÓLIZA DE GARANTÍA

Chervon North America, Inc. ("Chervon North America, Naperville, IL 60563"), proporciona la siguiente Garantía Limitada para los productos EGO al comprador original de productos EGO.

El período de garantía detallado de cada producto EGO se puede encontrar en línea en <http://egopowerplus.com/warranty-policy>.

Sírvase contactar a Servicio al Cliente de EGO llamando gratis al 1-855-EGO-5656 en cualquier momento en que tenga preguntas o reclamos de garantía.

GARANTÍA LIMITADA DE SERVICIO

Los productos EGO están garantizados contra defectos de material o de fabricación a partir de la fecha de compra minorista original durante el período de garantía aplicable. Para cualquier reclamo de garantía presentado de manera adecuada y oportuna, si Chervon North America determina que un producto presenta algún defecto durante el período de garantía, dicho producto recibirá una reparación o un remplazo gratuitos, según lo determine Chervon North America.

CÓMO OBTENER SERVICIO

Para obtener servicio de garantía, dentro del período de garantía aplicable, sírvase contactar a servicio al cliente de EGO llamando gratis al **1-855-EGO-5656**. Cuando solicite servicio de garantía, deberá presentar el recibo de venta fechado original. Se seleccionará un centro de servicio autorizado para evaluar y reparar el producto si el mismo presenta algún defecto de acuerdo con los términos establecidos en la garantía. Cuando lleve su producto al centro de servicio autorizado, es posible que se requiera un pequeño depósito cuando deje allí su herramienta. Este depósito es reembolsable cuando se considere que el servicio de reparaciones esté cubierto bajo garantía. El comprador es responsable del transporte de cualquier equipo o aditamento de energía para exteriores a sus expensas.

LIMITACIONES Y EXCLUSIONES ADICIONALES

Esta garantía limitada se aplica solo al comprador original que realice la compra a un minorista EGO autorizado y no es transferible. Los productos EGO no serán considerados defectuosos, y esta garantía no se aplicará, en los casos en que el defecto por el que se presente el reclamo sea atribuible a cualquier causa que no sean los defectos definidos anteriormente en este documento. Esta garantía quedará anulada si el producto se ha utilizado para fines de alquiler. Esta garantía no se aplicará a daños causados por

accidente, abuso, uso incorrecto, alteración, modificación, reparación no autorizada, contacto con líquidos, incendio, terremoto u otra causa externa; utilización del producto sin seguir las instrucciones, especificaciones o pautas de EGO; o no hacer servicio de ajustes y reparaciones o no mantener adecuadamente el producto. Esta garantía tampoco se aplica a los daños cosméticos, incluyendo, pero sin limitarse a ello, rasguñaduras o abolladuras; defectos causados por el desgaste por el uso normal o defectos que de alguna otra manera se deban al envejecimiento normal del producto.

ESTA GARANTÍA EXPRESA SE DA EN LUGAR DE TODAS LAS DEMÁS GARANTÍAS, EXPRESAS O IMPLÍCITAS, INCLUYENDO, PERO SIN LIMITARSE A ELLO, TODAS LAS GARANTÍAS DE COMERCIABILIDAD O IDONEIDAD PARA UN PROPÓSITO O USO ESPECÍFICO, LAS CUALES QUEDAN EXCLUIDAS. Todas las garantías implícitas, incluyendo las garantías de comerciabilidad o idoneidad para un propósito específico, que no se puedan excluir bajo la ley estatal, están limitadas al período de garantía aplicable definido al comienzo de este artículo. El remedio único y exclusivo en conexión con la compra, instalación, uso y/o rendimiento de los productos EGO es la reparación o el reemplazo del producto tal y como lo determine Chervon North America. La responsabilidad máxima de North America no excederá en ningún caso el precio de compra pagado por el producto. CHERVON NORTH AMERICA NO SERÁ RESPONSABLE ANTE EL USUARIO NI ANTE NADIE MÁS POR DAÑOS EMERGENTES, INCIDENTALES, ESPECIALES, EJEMPLARES, INDIRECTOS O PUNITIVOS QUE SURJAN DEL USO DE LOS PRODUCTOS, INCLUYENDO, PERO SIN LIMITARSE A ELLO, LESIONES CORPORALES, MUERTE, DAÑOS MATERIALES, GANANCIAS PERDIDAS U OTROS PERJUICIOS ECONÓMICOS. Esta garantía le confiere a usted derechos legales específicos y es posible que usted tenga también otros derechos que varían de un estado a otro. Algunos estados no permiten limitaciones en cuanto a la duración de una garantía implícita, la exclusión o limitación de los daños incidentales o emergentes, o las limitaciones al tiempo para emprender ciertas acciones legales, por lo que las limitaciones contenidas en el presente documento no se aplican a los consumidores individuales de esos estados.

Esta garantía está sujeta a la ley de Michigan y se interpretará de acuerdo con dicha ley, con independencia de los principios sobre conflictos de leyes. No se emprenderá ninguna acción legal contra Chervon North America a menos que se presente dentro del plazo de un (1) año después de que se tenga conocimiento de la base de dicha acción legal o de la cual se debiera haber tenido conocimiento con el ejercicio de una diligencia razonable. Se considerará que se ha renunciado a cualquier acción legal que no se presente oportunamente.

Para obtener servicio al cliente, contáctenos llamando gratis al **1-855-EGO-5656** o en **EGOPOWERPLUS.COM**.

EGO Customer Service,
769 Seward Ave. NW, Suite 102,
Grand Rapids, Michigan 49504.

